

**AIT-W1**

Accommodates one instrument

**AIT-W2**

Accommodates two instruments

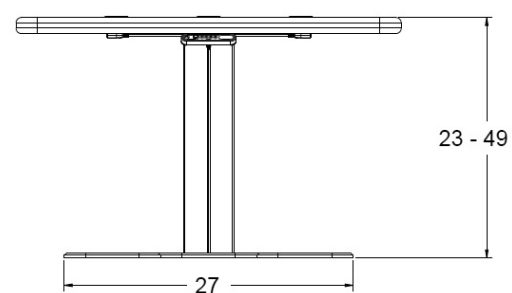
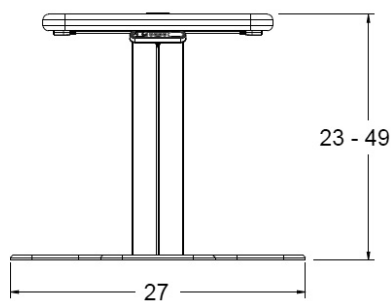
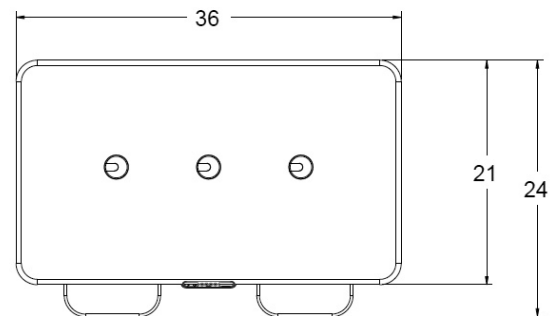
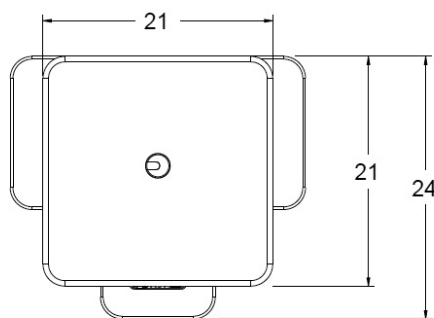
**KEY FEATURES:**

- » Fits against the wall, saving valuable office space
- » Wheelchair accessible – Complies with ADA regulations
- » Adjustable table height with 300lb load capacity
- » New Switch Panel with LED display and 3-memory storage
- » Wide range of elevation travel up to 49in (1245mm)
- » Electrical power strip supplied with each unit
- » Anti-Collision™ system<sup>1</sup>
- » Heavy duty powered legs and durable table top construction

1. The anti-collision function will stop the table's movement if it comes into contact with a solid object.

# Dimensions and Specifications

	AIT-W1	AIT-W2
<b>Electrical</b>		
110 Volt System	120 VAC (+ 10%), 6.0A, 60Hz	120 VAC (+ 10%), 6.0A, 60Hz
220 Volt System	230 VAC (+ 10%), 2.5A, 50Hz	230 VAC (+ 10%), 2.5A, 50Hz
<b>Protection</b>		
120 VAC	Class 1 (Against Electric Shock)	Class 1 (Against Electric Shock)
230 VAC	Class 2 (Against Electric Shock)	Class 2 (Against Electric Shock)
<b>Table Load Capacity</b>		
	300lb (136kg)	300lb (136kg)
<b>Shipping Weight</b>		
	217lb (98kg)	218lb (99kg)
<b>Nominal Speed (@ 0 load)</b>		
	1.37 - 2.24in/s (35 - 57mm/s)	1.37 - 2.24in/s (35 - 57mm/s)
<b>Table Dimensions</b>		
	27 x 24 x 23 inches (686mm x 610mm x 584mm)	36 x 24 x 23 inches (914mm x 610mm x 584mm)
<b>Table Height (retracted)</b>		
	23in (584mm)	23in (584mm)
<b>Table Height (full stroke)</b>		
	49in (1245mm)	49in (1245mm)
<b>Wheelchair Accessible</b>		
	Yes	Yes



AIT-W1

AIT-W2